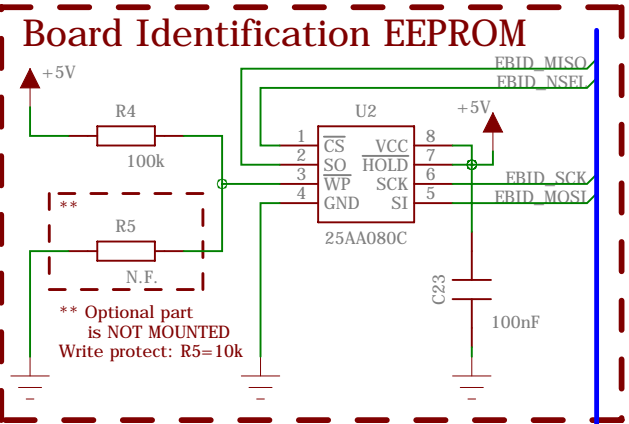


Si4463 Class-E Split +20 dBm matching for 460 MHz (450-470 MHz)




**SILICON LABORATORIES**

TITLE: **4463-TCE20B460**

Size A4	DATE: <b>Sep.6.2011.</b>	REV: <b>V1.3</b>	SHEET: 1 OF 1
------------	--------------------------	------------------	---------------